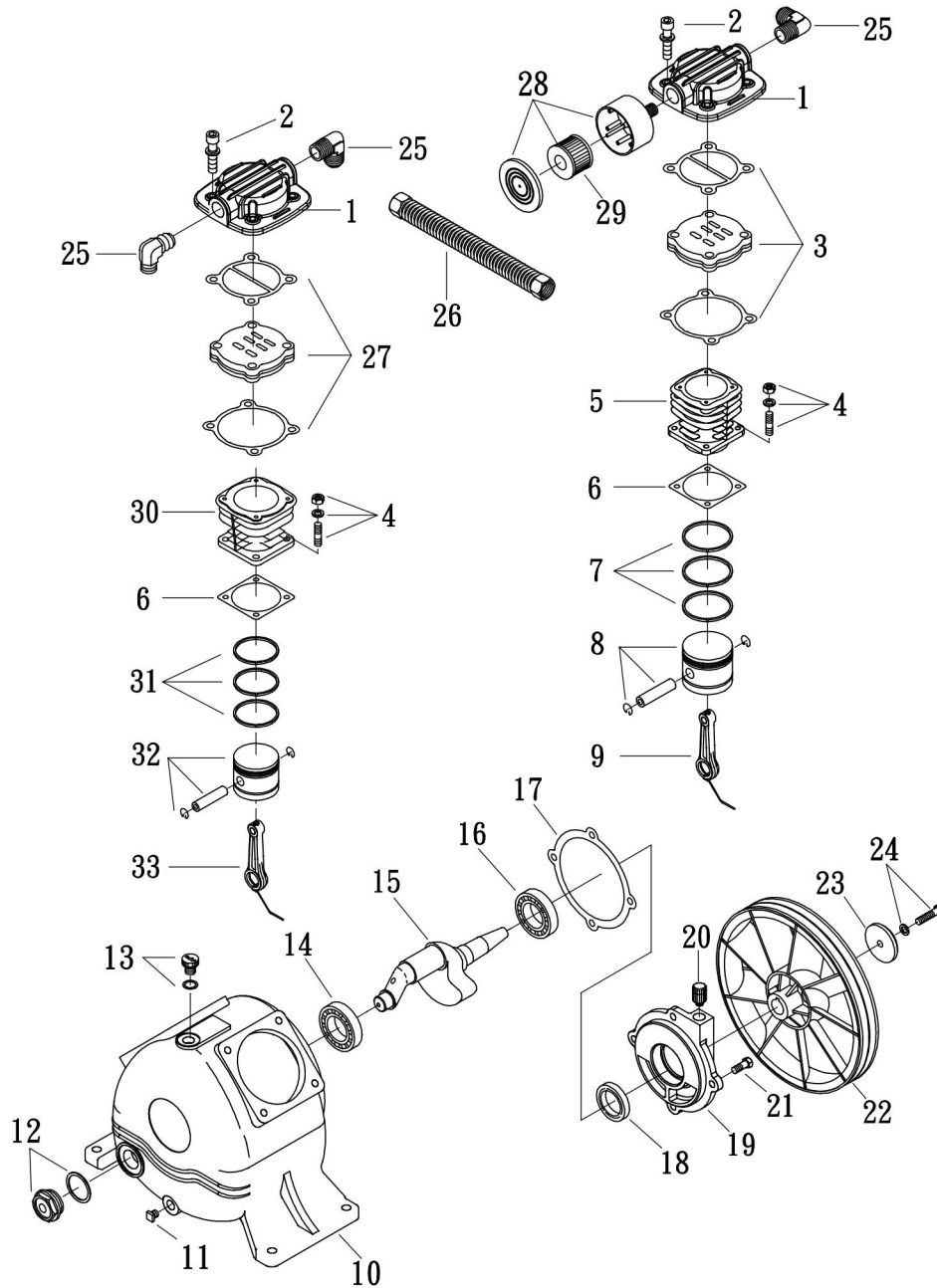


# MODEL : GT27 (Pump)



## SPARE PARTS LIST

NO : MP-1910

REF. NO.	DESCRIPTION	PART NO.	QTY.	REF. NO.	DESCRIPTION	PART NO.	QTY.
1	Cylinder head	3101100	2	18	Oil seal	2N50-TC24*47*07	1
2	Allen bolt set	3B01-M06*035V	8	19	Rear bearing seat	3311034	1
3	In. & Ex. valve assembly	3B13-K5070C	1	20	Breathing cover	2321008	1
4	Double head screw set	3B11-001-A	8	21	Hexagon bolt	2B00-SM08*020	4
5	Cylinder	3201037	1	22	Pulley	3PBF-105A124	1
6	Cylinder gasket	2G04-003	2	23	Plate washer	2B30-08*35*35	1
7	Piston ring set	3B32-70N3	1	24	Hexagon bolt set	2B00-SM08*035AV	1
8	Piston set	3B31-CK3065	1	25	Exhaust elbow	2N06-04T04HSS	3
9	Rod set	3B33-TK20L	1	26	Exhaust tube set	3B2-04*240	1
10	Crankcase	3301125	1	27	In. & Ex. valve assembly	3B13-K4251C	1
11	Oil draining plug	2N33-002	1	28	Air filter set	2140019A	1
12	Oil sight gauge set	2303012A	1	29	Filter element	2142013	1
13	Oil filling plug set	2319003A	1	30	Cylinder	3201087	1
14	Bearing	2N35-6204	1	31	Piston ring set	3B32-42N	1
15	Crankshaft & balancer	3304038	1	32	Piston set	3B31-T42HN	1
16	Bearing	2N35-6205Z	1	33	Rod set	3B33-GT27	1
17	Rear bearing seat gasket	2G06-008	1				